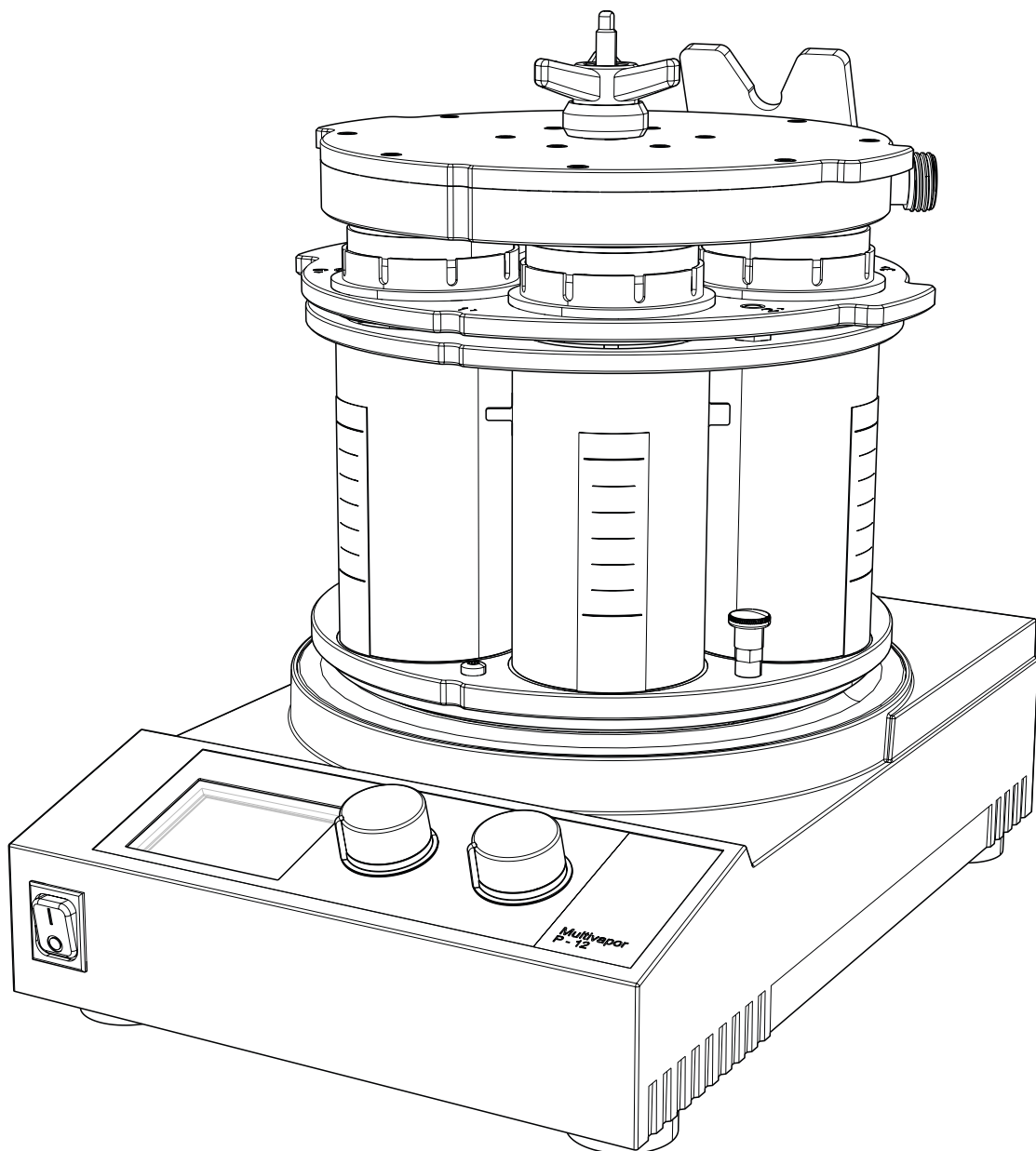




Multivapor™

Technical data sheet

The Multivapor™ is a compact 6 or 12 position parallel vortex evaporator, designed to optimize existing personal process workflows. Achieves high efficiency for multiple sample evaporation at an impressive small footprint and an easy operation.



Scope of delivery

Multivapor™

Components	P-6	P-12	P-6 stand alone	P-12 stand alone
Crystal rack	P-6 removable	P-12 removable	P-6 removable	P-12 removable
Vacuum cover	P-6	P-12	P-6	P-12
Tubes and adapters	6*	12*	6*	12*
Transfer rack	P-6	P-12	P-6	P-12
Sample preparation rack	P-6	P-12	P-6	P-12
Condenser	-	-	S or C*	S or C*
Rotavapor connection	1	1	-	-
Safety shield	1	1	1	1
Vacuum system	*	*	*	*

* according order code

Order code

With the ordering matrix every individual configuration including the vacuum pump and controller can be compiled into a bundle. All glass parts – except the sample vessels – are Plastic+Glas coated to provide maximum safety.

Multivapor™ MP-12/MP-6



Positions

- 1 Multivapor P-12, max.
12 x 30 mL, ø 25 mm
- 2 Multivapor P- 6, max.
6 x 150 mL, ø 60 mm

Voltage

- 1 220 - 240 V 50/60 Hz
- 2 100 - 120 V 50/60 Hz

Safety shield

- 0 No safety shield
- 1 With safety shield

Evaporation unit, tube adapters (PETP), glassware

Configuration with evaporation unit, tube adapters, preparation/transfer rack and glassware:

- 01 BUCHI tube (30 mL for P-12, 160 mL for P-6)

Configuration without tube-adapters and without glassware:

- 99 With evaporation unit, preparation/transfer rack, but no adapters and no glassware. Order adapters and glassware separately.

Configuration without rack, without tube adapters and without glassware:

- 00 With evaporation unit, but no preparation/transfer rack, no adapters and no glassware. Recommended choice for PEEK setup.

Condenser assembly, P+G coated

- S type S condenser, for tap water or a recirculating chiller, P+G coated
- C type C condenser, cold trap for dry-ice cooling, P+G coated
- R Rotavapor® setup (no condenser, incl. connection piece)

Receiving flask, P+G coated

- 0 No flask
- 1 1000 mL receiving flask
- 2 2000 mL receiving flask
- 3 3000 mL receiving flask

Vacuum source

- 0 no pump, no controller; Multivapor™ Basic
- 1 V-300, I-300 incl. secondary condenser
- 2 V-300, I-300 Pro incl. secondary condenser; Multivapor™ Pro

Dimensions and weight

	Dimensions (W x H x D)	Weight
Multivapor™	270 x 400 x 400 mm	22 kg

Technical data

	100 - 120 V ±10 %	220 - 240 V ±10 %
Frequency	50/60 Hz	
Power consumption	max. 800 W	
Ambient temperature	5 °C - 40 °C	
Maximum relative humidity	80 % for temperatures up to 30 °C	
Temperature control range	20 °C to 95 °C	
Temperature accuracy	±3 °C (instrument calibrated at 20 °C)	
Rotational speed	0 - 485 rpm	
IP - Certification	21	

Table of requirements for Multivapor™

See respective product brochures, and technical data sheets for more information. A recirculating chiller with a minimum cooling capacity of 550 W (at 15 °C cooling temperature) is required for proper operation.

Cooling agent flowrate	min. 2.5 L/min	max. 11 L/min
Cooling agent pressure	min. 0.6 bar	max. 1 bar
Cooling capacity at 15 °C	min. 550 W	max. 1400 W

Complementary products

	Recirculating Chiller			Vacuum Pump	
	F-305	F-308	F-314	V-300	V-600
Multivapor™	manually controlled	manually controlled	manually controlled	autonomous	autonomous
Multivapor™ with I-300 / I-300 Pro	controlled	controlled	controlled	speed controlled	speed controlled

Explanation of terms

autonomous:	The peripheral (chiller / pump) can be turned On and Off by its own power switch only
speed controlled:	The peripheral (pump) is turned On and Off as well as speed controlled via interface
controlled:	The peripheral (chiller) is turned On and Off and the temperature can be set via interface, actual temperature is displayed on the interface
manually controlled:	The parameters can be adjusted via peripherals control buttons

Accessories

	Order number
Safety shield	048784
Evaporation unit P-6	11058090
Evaporation unit P-6, PEEK	11058091
Evaporation unit P-12	11058092
Evaporation unit P-12, PEEK	11058093
Crystal rack P-6	11057500
Crystal rack P-12	11057505
Vacuum cover P-6	049773
Vacuum cover P-6, PEEK	049710
Vacuum cover P-12	049615
Vacuum cover P-12, PEEK	048845
Blind adapter for P-6, 1 pc.	11055811
Blind adapter for P-12, 1 pc.	11055812

	Order number
Sample preparation rack P-6	049783
Sample preparation rack P-12	049755
Transfer rack P-6	049250
Transfer rack P-6 for P-12 adapter	11055146
Transfer rack P-12	049251
Set Rotavapor connection	048740
Woulff bottle set	11057282

Condensers	Order number
Condenser type S Including a 1000 mL receiving flask	048889
Condenser type S Including a 2000 mL receiving flask	048890
Condenser type C Including a 1000 mL receiving flask	048887
Condenser type C Including a 2000 mL receiving flask	048888
Sec. Condenser	11057282

