



MS106 High Protection Peristaltic Pump-IP67/IP66

Lead Fluid MS106 high-protection peristaltic pump, designed and developed for pharmaceutical and industrial applications. With IP66/IP67 high protection level, it possesses dust-proof and short-term liquid immersion capabilities, enabling stable operation in harsh environments such as dust, humidity, weak acid and alkali, and salt spray for extended periods. What a reliable machine!

Feature

- **Precision-crafted cast aluminum shell**
Streamlined appearance, lightweight cast aluminum powder-coated shell, excellent heat dissipation, strong corrosion resistance.
- **3-inch display screen, clear at a glance**
3-inch display screen, clear display, easy operation.
- **Servo motor drive**
High-precision operation, high torque, low noise.
- **Can accomplish multiple transmissions and simple dispensing**
By setting running time, interval time, and running times, timed transmission and dispensing distribution functions can be achieved.
- **Intelligent interconnection, collaborative operation**
Supports RS485 communication, compatible with Modbus protocol.
- Three-level user permission management, security protection, no need to worry about parameter tampering.
- Selects top-brand raw materials, meticulously selected, quality guaranteed.

Technical Parameter

Parameter MS106

Flow range	6~7700mL/min
Speed range	0.1~350rpm
Speed resolution	0.1 rpm
Speed accuracy	< ±0.2%
Timer range	0.1 ~ 999.9 S/Min/H/D
External control signal input	External analog signal adjusts speed, analog signal 0-5V/0-10V/4-20mA, software setting switching, no need to change external wiring.
External control signal output	External control signal controls start/stop, forward/reverse rotation, external control signal 5-24V input, optoelectronic isolation.
Communication interface	RS485 communication interface, Modbus protocol is available
Power supply	AC 100-240V 50Hz/60Hz
Power consumption	<180W
Working environment	Environment temperature 0-40°C humidity<80%
Shell material	Aluminum
IP grade	IP66/IP67
Dimension (L×W×H)	363×180×230mm
Drive weight	10.5kg

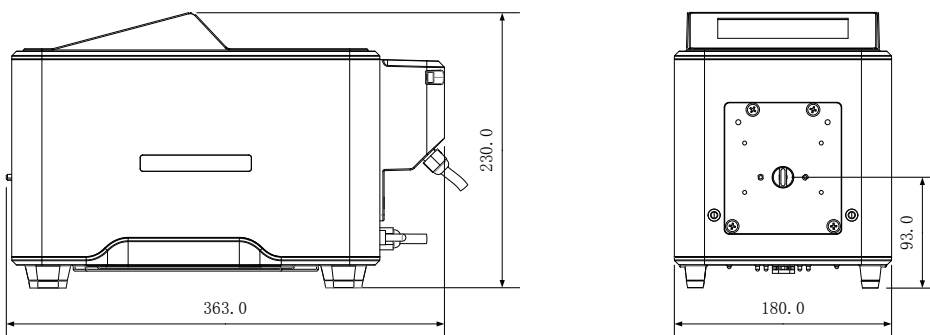


MS106 Applicable Pump Head and Tube, Speed, Flow

Drive Type	Pump Head	Channel	Tube	Single Channel Flow Rate (mL/min)
MS106	YZ15/YZ15T	1,2,4	13#14#19#16#25#17#18#	0.005~1575
	YT25	1,2	15#24#35#36#	0.18 ~ 1750
	KZ25	1	15#24#35#36#	0.31 ~ 3850
	DMD25	1	15#24#35#36#	0.4 ~ 4200
	YZ35	1	73#82#	1.33 ~ 7700

Above flow parameters are obtained by using silicone tube to transfer pure water under normal temperature and pressure, in actually using it is effected by specific factors such as pressure, medium etc. Above for reference only.

Dimension(mm)



Statement : The final explanation right of above information belongs to Lead Fluid.